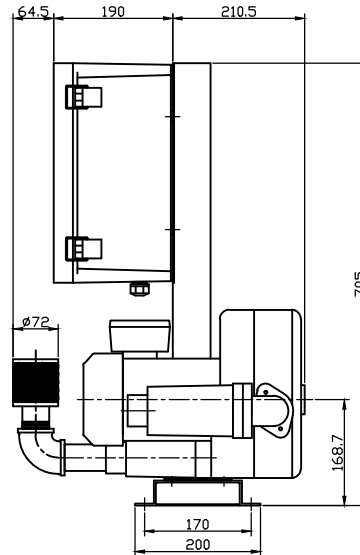
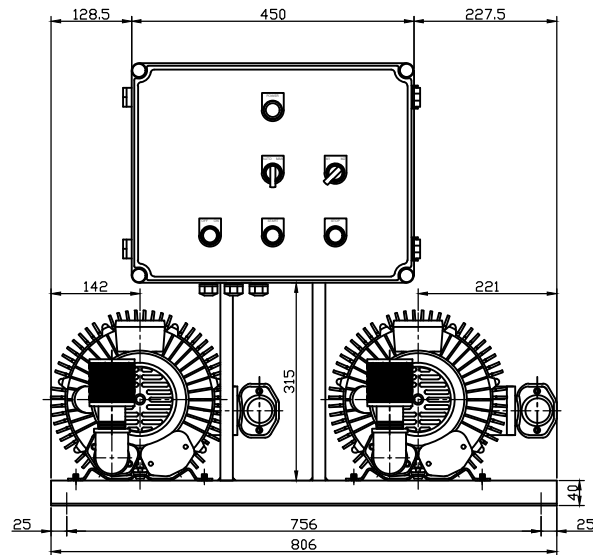
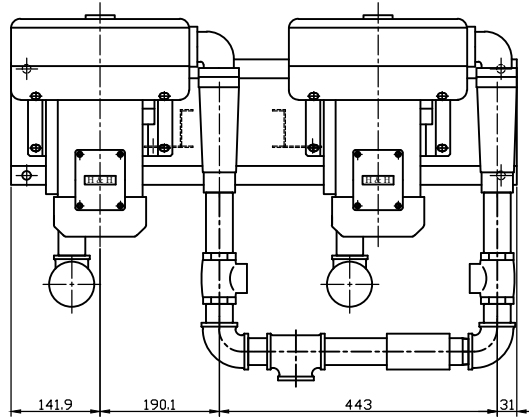



NOTE 1) 모터 21

No.	PART NAME	MATERIAL	Qt'y	SIZE	REMARK
01					



No.		Revision		Date		Draw	Check	Appr.
00								
형식 TYPE	HRB-302/1		도명 TITLE	외형도 (OUTWARD DWG.)				
DRAWN	DESIGN	CHECKED	APPROVED	3RD ANGLE	SCALE:1/1	UNIT:mm		
B.S.Kim				SIZE	3 ϕ 2P 1.1kW			
17.02.13				도번 DWG. No	BOD00434		△	
 黃海電機 HWANG HAE ELECTRIC								